

HARDMETALS



Drilling

Catalogue DR021

Hard Metals Australia is proudly accredited with the following ISO certifications:
ISO 9001: 2015 Quality Management Standard
ISO 14001: 2015 Environmental Management System Standard
ISO 45001: 2018 Health and Safety Management System



CONTENTS

About Us.....	1
Stock Codes	2
Wombat	4
Hole Openers	4
About Wombat.....	5
Reamer Body	6
Reamer Assembly	7
Reamer Repairs	8
Drill Pilots.....	10
PDC Helibit.....	12
PDC Bit Repairs	13
Geotechnical	14
Ancillary Products.....	16
Under road Rods.....	17
Crossovers	18
Stabilisers.....	19
Ring Stabiliser	19
Cutting Stabiliser	19



+61 2 9009 4455



+1 403 615 6163



sales@hardmetals.com



canada@hardmetals.com

HARD METALS Catalogues

- **Agriculture**
- **Drilling (DR021)**
- **Construction**
- **Wearparts**





ABOUT US

Hard Metals was established as a supplier of tungsten carbide in 1982. The founding owner, Ron Ainge, had a background in tungsten carbide products in the mining industry. After working with the material there, some key people developed the idea further. Farmer Bill Staughton, agricultural innovator Barry McFarlane, and mining entrepreneur Ron Ainge introduced the idea with widespread success.

Years later, mining engineer Stephen Ainge came into the family business and used the cross-sectional knowledge of tungsten carbide and wear-resistant steels to move back into the ground drilling sector.

An Australian innovation, the Wombat PDC reamer was introduced to the market in 2009.

Today, Hard Metals manufactures a large range of tools for the Agricultural, Construction, and Mining industries. We work with Original Equipment Manufacturers (OEM) for custom large scale production as well as create general range tools for sale through dealers.

All Wombat and Helibit products are manufactured using the highest quality materials and processes here in our facilities in Eastern Creek NSW.

W
O
M
B
A
T

STOCK CODES

Code	Description
0	Phase Out Product May have remaining stock
1	Stocked Product Generally available immediately
2	Prototype Product No performance guarantee
3	Seasonally Stocked Product May require minimum order
4	[Deprecated]
5	Subassembly Product May not be for sale to end users
6	New Product Stock Code status unconfirmed
7	OEM or Client Product Not for general end user sale
8	Non-Stocked Product Minimum order required
9	Special Product Check with our sales team

Stock codes detail the availability of products. Each product in this catalogue has a code. All codes are subject to change over time and are shown only as a guide.





Wombat Hole Openers

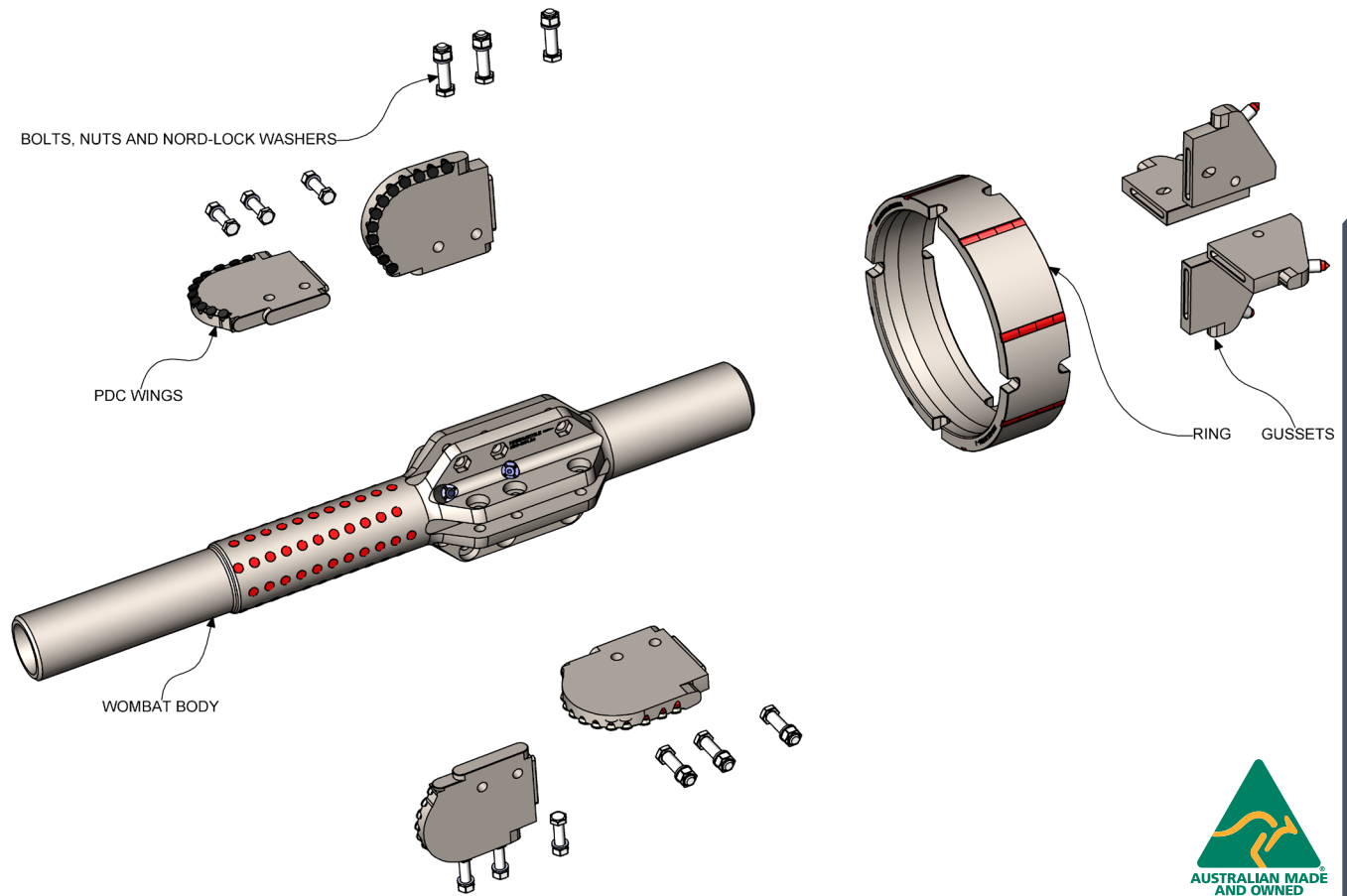
WOMBAT

ABOUT WOMBAT

Wombat reamers consist of a body, wings, gussets, and a stabilising ring. The body is designed to be a one-off purchase that multiple wing and gusset sets can be attached to. The same body can be used for forward reaming or backward reaming depending on the configuration. All required bolts and fasteners are delivered with components.

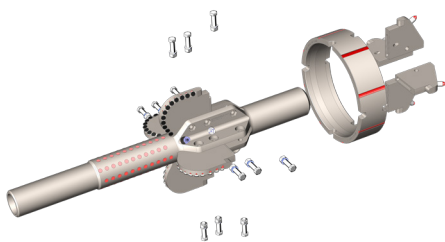
Where the size of the reamer allows, a new segmented ring design has been developed that allows for even easier assembly.

A more detailed assembly guide is available as an appendix to this catalogue.

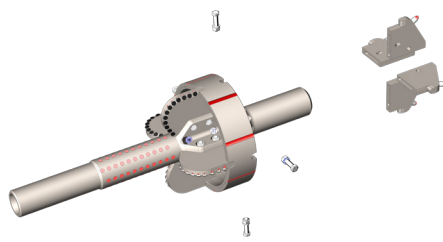


Assembly of reamers consists of three major steps. Disassembly involves the same steps in reverse. Note that Nordlock washers are single-use. They must be replaced upon disassembly.

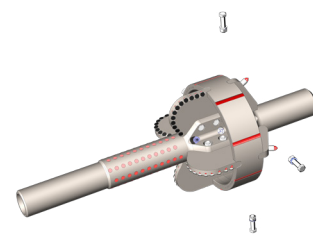
Step 1
Fit the wings to the body



Step 2
Fit the ring on the wings

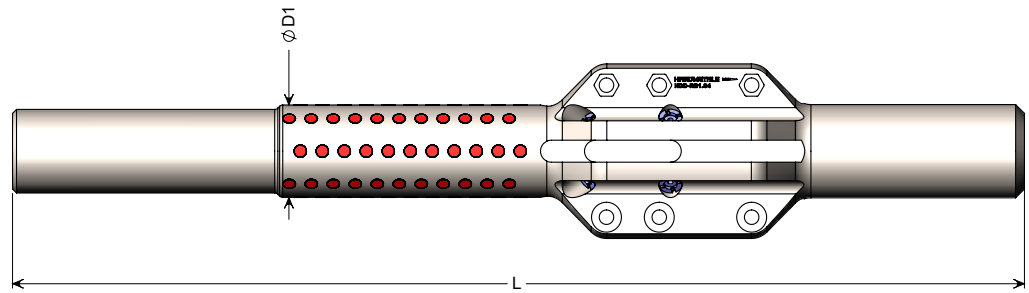
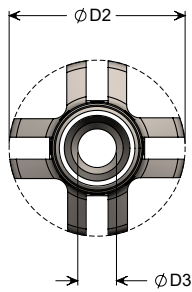
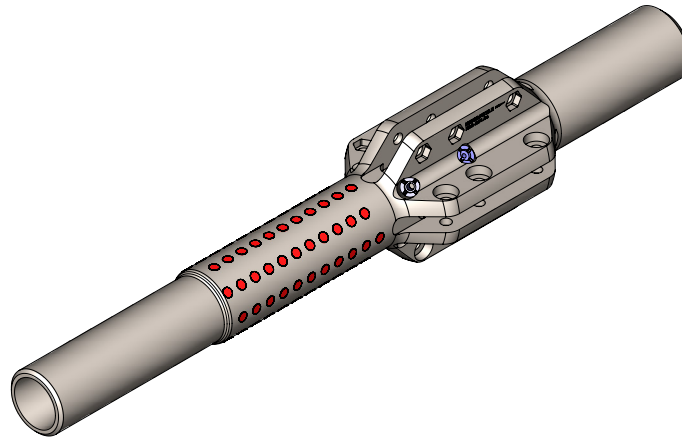


Step 3
Fit the gussets to the body





REAMER BODY

The core of our trademarked design, reamer bodies fit to standard drill strings. Tungsten carbide gauge pads ensure the shape of the reamer remains consistent run after run.



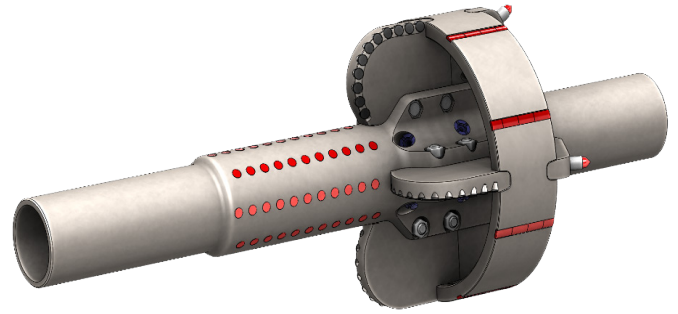
WOMBAT HOLE OPENERS - Reamer Body

Product	Thread	Carry-On Range	Wings	D1 (mm)	D2 (mm)	D3 (mm)	L (mm)	Stock Code		Weight (KG)
										
HDD-RB1.S4	2 3/8" IF	10-16"	4	105	200	44	1150	3	8	75
HDD-RC1.S4	2 7/8" IF	10-24"	4	130	200	50	1150	3	3	90
HDD-RD1.S4	3 1/2" IF	10-24"	4	140	210	65	1150	1	1	100
HDD-RC2.S4	2 7/8" IF	16-28"	5	145	300	50	1350	8	3	180
HDD-RD2.S4	3 1/2" IF	16-32"	5	160	300	60	1350	1	8	200
HDD-RE2.S4	4 1/2" IF	16-32"	5	180	300	85	1350	1	8	190
HDD-RF2.S4	6 5/8" FH	24-42"	6	235	480	120	1700	1	8	520

REAMER ASSEMBLY

Our most popular signature design. Impact resistant with specialty PDC cutters that ensure a long working life and high rate of penetration.

All assembly components are **Stock Code 3**



Body Type	10	12	14	16	18	20	22	24	26	28	30	32	34	36	38	40	42
RB1	R	R	R	R													
RC1	R	R	R	R	R	R	R	R									
RD1	R	R	R	R	R	R	R	R									
RC2				R	R	S	S	S	S	S							
RD2				R	R	S	S	S	S	S	S	S					
RE2				R	R	S	S	S	S	S	S	S					
RF2								R	R	R	S	S	S	S	S	S	S

R = Regular S = Segmented

Body Type	10	12	14	16	18	20	22	24	26	28	30	32	34	36	38	40	42
RB1	P	P	P	P													
RC1	P	P	P	P	C	C	C	C									
RD1	P	P	P	P	C	C	C	C									
RC2				P	P	C	C	C	C	C							
RD2				P	P	C	C	C	C	C	C	C					
RE2				P	P	C	C	C	C	C	C	C					
RF2								P	P	P	C	C	C	C	C	C	C

P = Parted C = Combined

Reamer Assembly - WOMBAT HOLE OPENERS



+61 2 9009 4455

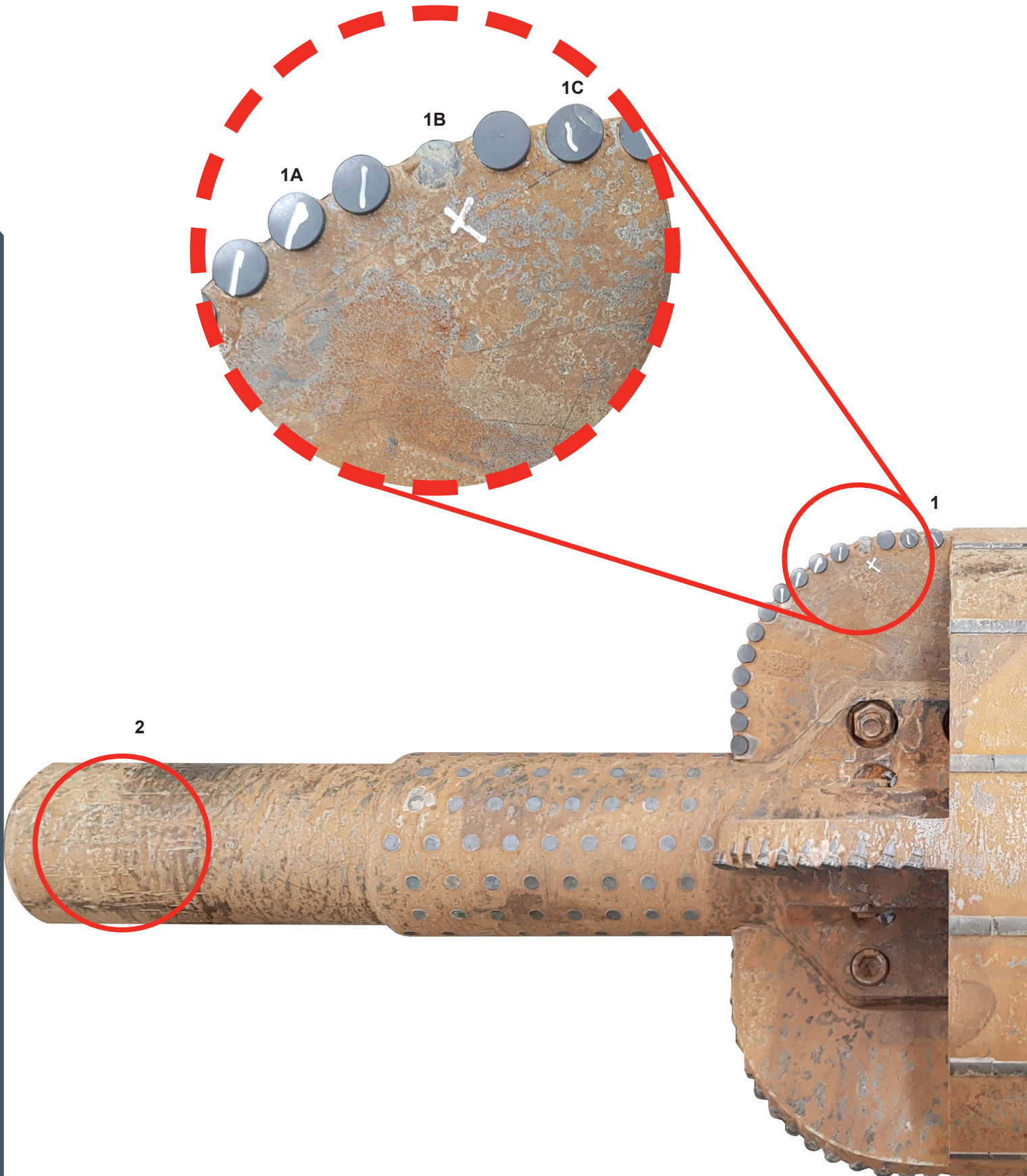
+1 403 615 6163



sales@hardmetals.com

canada@hardmetals.com

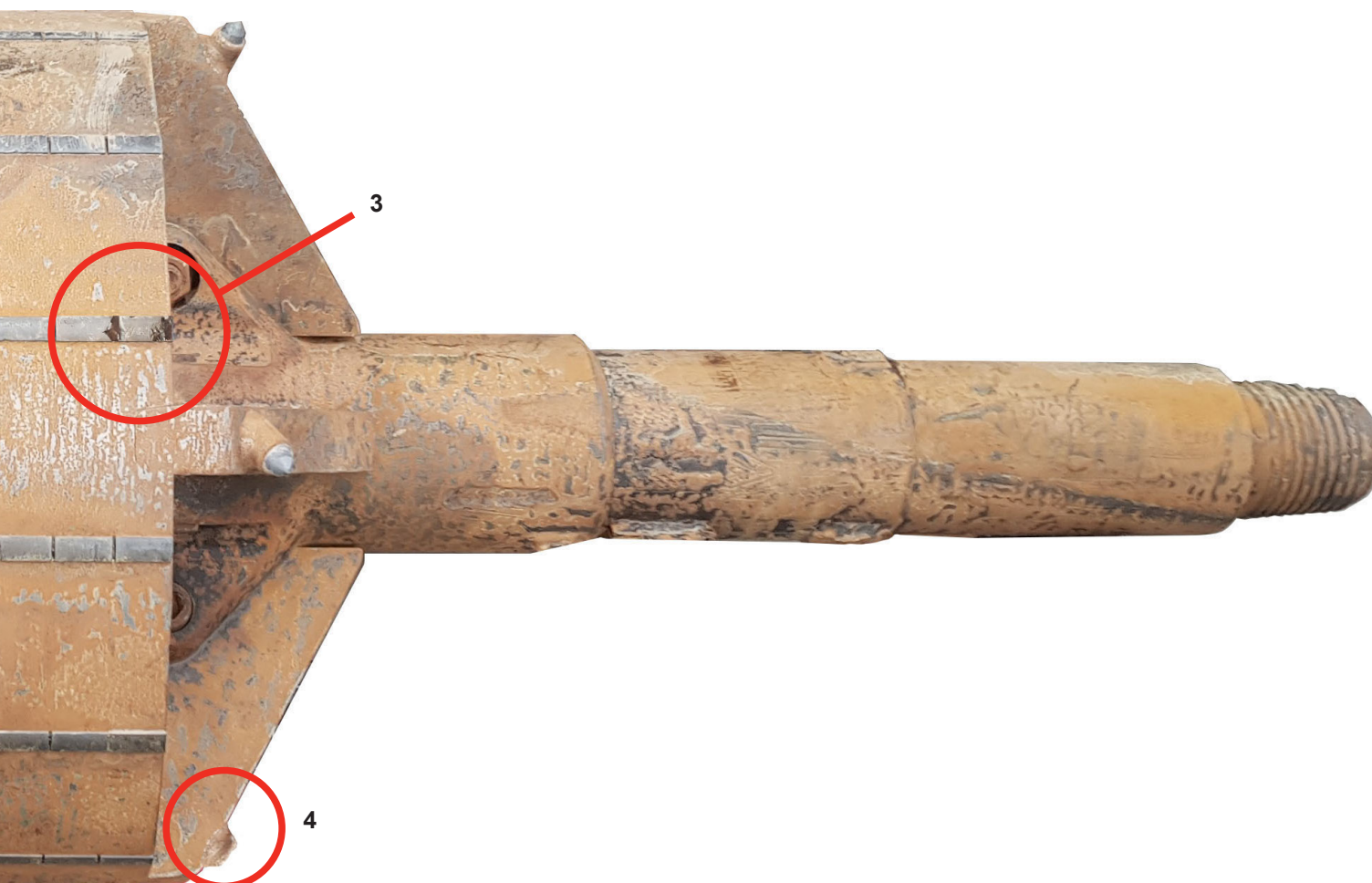
REAMER REPAIRS



You don't always know what you could hit underground. If your reamer has been damaged or has moderate wear, you can bring it to us. Repairs are cheaper than a new product. Some common faults that we can fix in our workshop are shown here.

	Problem	Solution
1A	Worn PDC inserts	Inserts are rotated in the socket, prolonging life
1B	Broken or lost PDC inserts	The pocket is built up if necessary, then a new PDC is brazed in place
1C	Damaged PDC inserts	PDC inserts are rotated in the socket to move the damage away from the active cutting area and to expose the sharp edge of the PDC insert
2	Damaged connection thread	The damage is assessed to determine the most viable method of rework. This can be as simple as chasing a thread or can involve replacing with new material
3	Broken or lost ring carbide	Broken material is removed and new carbide added
4	Broken pullout teeth	Any remanant material is removed and a new tooth is welded on

These services are available on reamers you haven't purchased from Hard Metals.

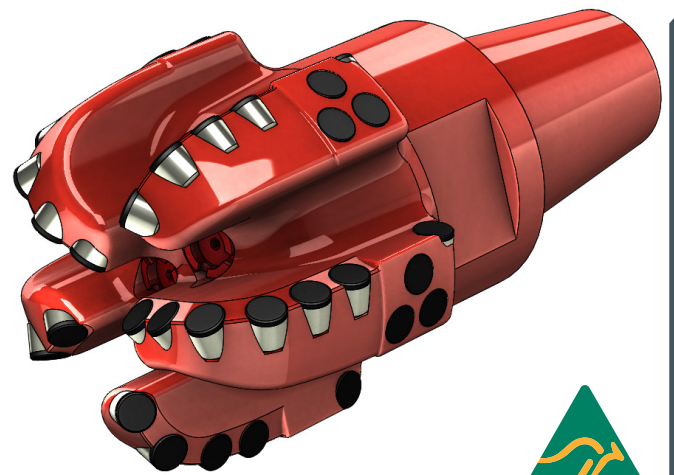


Drill Pilots



ABOUT HELIBIT

Our trademarked PDC drill bit range manufactured in Sydney, the Helibit is an Australian made, state of the art drill pilot. Featuring uniquely specialised cutting geometry, Helibit is designed to provide excellent flushing and maximise rate of penetration. Incorporating exchangeable tungsten carbide flushing nozzles and our toughest PDC cutters, Helibit is designed to be fast and last.



About Helibit - DRILL PILOTS

HB0512-S513

HB Helibit	05 1 / 2 Diameter (Inch Fraction)	5 # of Blades	13 PDC OD (mm)
	4 1/2" to 7 7/8"	From 3 to 5 depending on diameter	13 or 16 depending on diameter

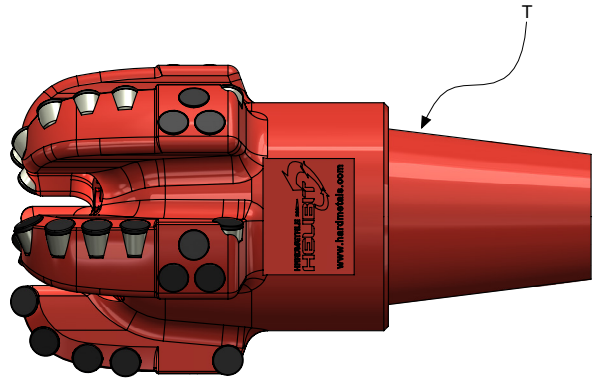
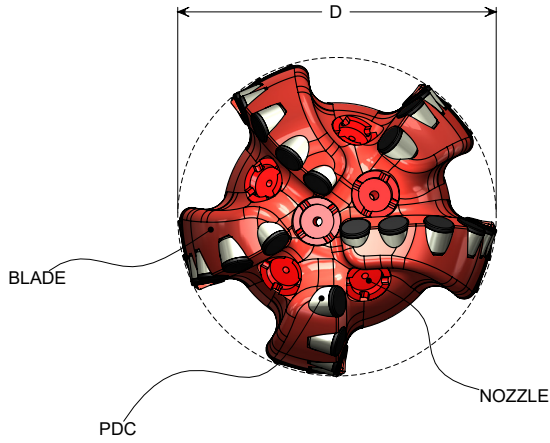


+61 2 9009 4455
+1 403 615 6163





sales@hardmetals.com
canada@hardmetals.com

PDC HELIBIT



DRILL PILOTS - PDC Helibit

Product	Thread	# of Blades	D (inches)	Stock Code		Weight (KG)
						
HB0212-S313-BWJ	BWJ Female	3	2 1/2"	1	9	2.1
HB0412-S413	2 3/8" Reg	4	4 1/2"	3	9	8.7
HB0434-S513	2 7/8" Reg	5	4 3/4"	3	9	10.1
HB0478-S513	2 7/8" Reg	5	4 7/8"	3	9	10.6
HB0512-S416	2 7/8" Reg	4	5 1/2"	3	9	11.8
HB0512-S513	2 7/8" Reg	5	5 1/2"	1	9	11.8
HB0512-S516	2 7/8" Reg	5	5 1/2"	3	9	11.8
HB0600-S513	2 7/8" Reg	5	6"	3	9	14.6
HB0612-S413	3 1/2" Reg	4	6 1/2"	3	9	16.4
HB0612-S513	3 1/2" Reg	5	6 1/2"	3	9	16.4
HB0612-S516	3 1/2" Reg	5	6 3/4"	3	9	16.4
HB0634-S513	3 1/2" Reg	5	6 3/4"	3	9	17.4
HB0778-S513	4 1/2" Reg	5	7 7/8"	3	9	21.5
HB0834-S513	4 1/2" Reg	5	8 3/4"	3	9	24.7
HB0834-S516	4 1/2" Reg	5	8 3/4"	3	9	24.7

PDC BIT REPAIRS

You don't always know what you could hit underground. If your PDC drill bit has been damaged or has moderate wear, you can bring it to us. Repairs are cheaper than a new product. Some common faults that we can fix in our workshop are shown in the image below.

	Problem	Solution
1	Worn PDC inserts	PDC inserts are rotated in the pocket, prolonging life
2	Broken or lost PDC inserts	The pocket is built up if necessary, a new PDC is brazed in place
3	Damaged PDC inserts	PDC inserts are rotated in the socket to move the damage away from the active cutting area and to expose the sharp edge of the PDC insert
Not shown	Wear susceptible areas	Hard facing can be added where required. Hard Metals has access to some of the best hard facing material in the world for this application

These services are available on PDC drill bits you haven't purchased from Hard Metals.



+61 2 9009 4455



+1 403 615 6163

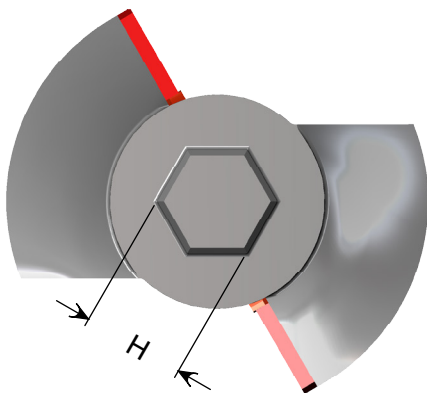
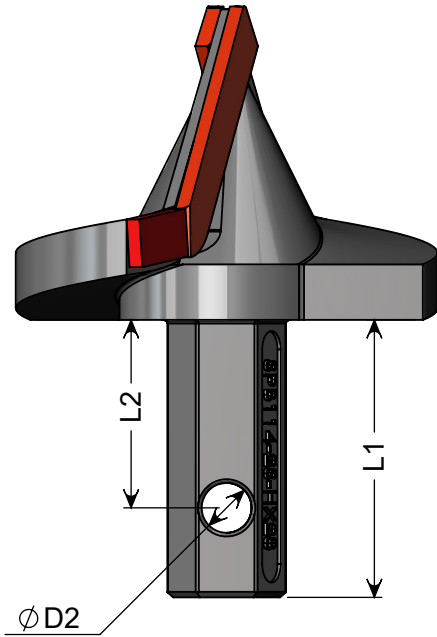
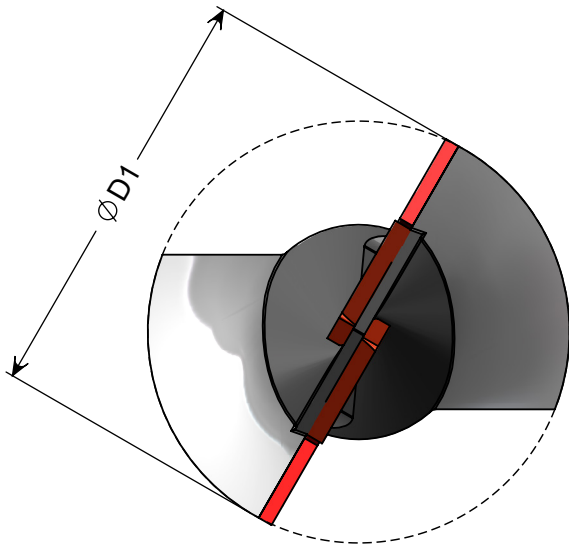


sales@hardmetals.com

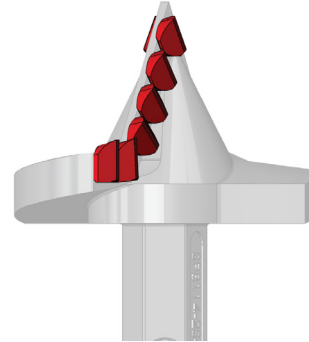


canada@hardmetals.com

GEOTECHNICAL

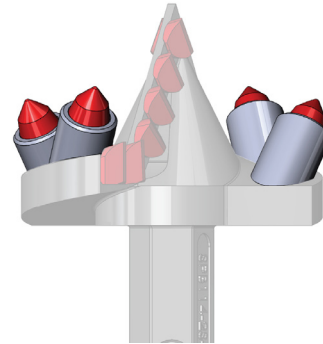


EXTRA OPTION: Rock-breaker (FW) augmentation





Rock-breaking teeth for digging into very hard ground. This style of spiral bit can better handle impact, reducing cracking of tungsten carbide.

EXTRA OPTION: Cutter Tooth (ST) augmentation



For very aggressive cutting, additional cutting teeth can be included on your product.



Product	D1 (mm)	D2 (mm)	H (mm)	L1 (mm)	L2 (mm)	FW	ST	Stock Code	Weight (KG)
								 	
SPB095-2S-HX28	95	11	28	75	50.8			9 9	1.0
SPB095-2S-HX28-13.5	95	13.5	28	75	50.8			9 9	1.1
SPB102-2FW-HX28-13.5	102	13.5	28	75	50.8	✓		8 9	1.1
SPB102-2FW-HX28-13.5ST	102	13.5	28	75	50.8	✓	✓	8 9	1.2
SPB102-2S-HX28-13.5	102	13.5	28	75	50.8			8 9	1.1
SPB114-2FW-HX28-13.5	114	13.5	28			✓		8 9	1.9
SPB114-2FW-HX28-13.5ST	114	13.5	28			✓	✓	8 9	2.0
SPB114-2S-HX28-13.5	114	13.5	28					8 9	1.9
SPB127-2FW-HX28-13.5	127	13.5	28			✓		8 9	2.1
SPB127-2FW-HX28-13.5ST	127	13.5	28			✓	✓	3 9	2.2
SPB127-2FW-HX38-13.5	127	13.5	38			✓		8 9	2.1
SPB127-2S-HX28-13.5	127	13.5	28					8 9	2.1
SPB152-2FW-HX28	152	11	28			✓		9 9	2.3
SPB152-2FW-HX41	152	11	41			✓		9 9	2.3
SPB152-2S-HX28	152	11	28					9 9	2.3
SPB152-2S-HX38	152	11	38					9 9	2.3



+61 2 9009 4455



+1 403 615 6163



sales@hardmetals.com





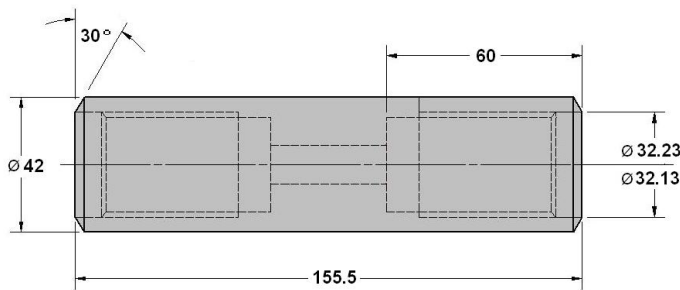
canada@hardmetals.com



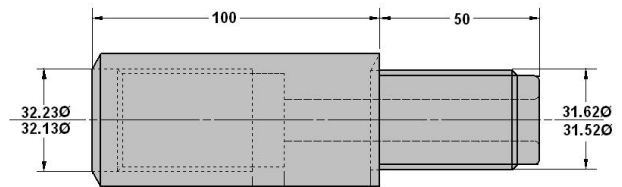
Ancillary Products

UNDER ROAD RODS

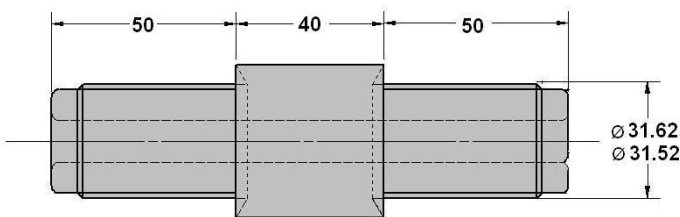
Product	Description	Stock Code		Weight (KG)
				
UR1000	UR Sub - Mole Box	3	9	1.0
UR1001	UR Sub - Mole Pin To Box	3	9	0.9
UR1002	Rod Sub -Mole Pin To Pin	3	9	0.8
UR1018-25.4	Water Feed Drive - 1" Shaft	1	9	1.0
UR1012	UR Rod 0.9m	3	9	7.2



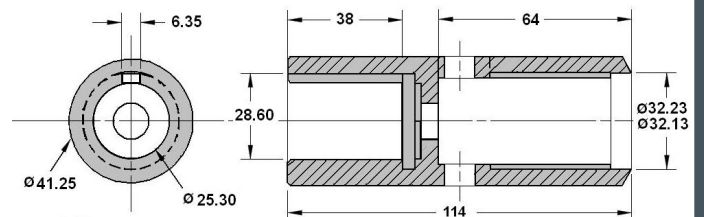
UR1000



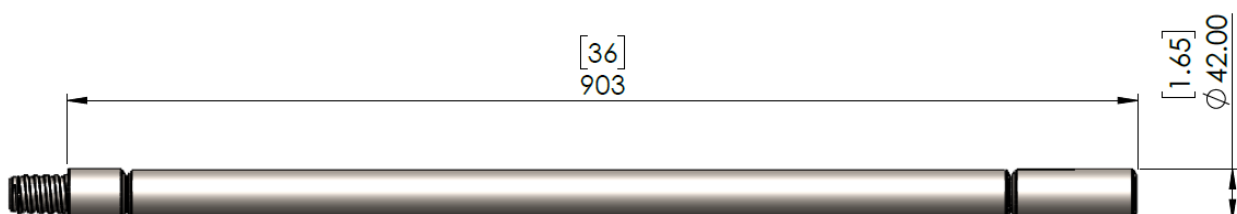
UR1001



UR1002



UR1018-25.4



UR1012

Under Road Rods - Ancillary Products



+61 2 9009 4455
+1 403 615 6163



sales@hardmetals.com
canada@hardmetals.com

CROSSOVERS



Our workshop is capable of creating custom crossovers and sub-savers to suit a broad range of requirements. Put together the information below and contact us for a quote and lead time.

A table of standard threads is shown below. These can be made as male (pin) or female (box). Standard shoulder length is 300mm.

All crossovers and sub-savers are **Stock Code 9**.

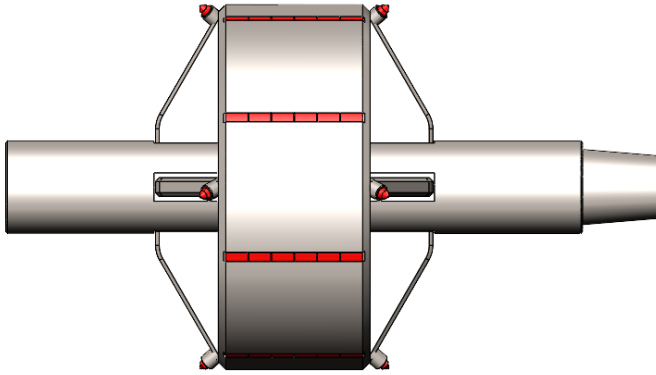




Thread Type	Thread (Inches)
Reg	2 3/8"
	2 7/8"
	3 1/2"
	4 1/2"
	5 1/2"
	6 5/8"
	7 5/8"
	8 5/8"
IF	2 3/8"
	2 7/8"
	3 1/2"
	4"
	4 1/2"
	5 1/2"
Full Hole	2 7/8"
	3 1/2"
	4"
	4 1/2"
	5 1/2"
	6 5/8"

STABILISERS

Ring Stabiliser

Ring stabilisers can be added inline to your string to enable the highest possible stabilisation on the string while minimizing turbulence.

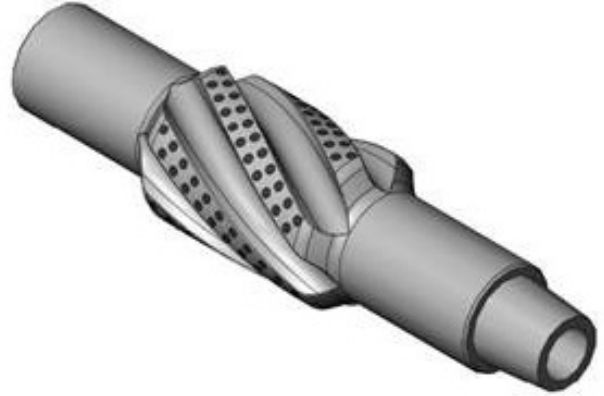




Product	Diameter (Inches)	Stock Code	
			
HDD-SLZR-04	4	9	9
HDD-SLZR-10	10	9	9
HDD-SLZR-12	12	9	9
HDD-SLZR-14	14	9	9
HDD-SLZR-16	16	3	9
HDD-SLZR-18	18	9	9
HDD-SLZR-20	20	9	9
HDD-SLZR-22	22	8	9
HDD-SLZR-24	24	9	9
HDD-SLZR-32	32	9	9
HDD-SLZR-36	36	9	9

Cutting Stabiliser

Cutting stabilisers can increase stability while reducing turbulence in situations where a ring stabiliser won't fit into the bore.

The ribs can be straight or helical depending on your hole requirements and ground conditions.



Product	Diameter (Inches)	Stock Code	
			
HDD-SLZC-04	4	9	9
HDD-SLZC-12	12	9	9
HDD-SLZC-14	14	9	9
HDD-SLZC-16	16	9	9
HDD-SLZC-24	24	9	9



+61 2 9009 4455



+1 403 615 6163



sales@hardmetals.com



canada@hardmetals.com

HARD METALS AUSTRALIA PTY LIMITED – TERMS & CONDITIONS OF TRADE

1. DEFINITIONS	
1.1 "Contract" means the terms and conditions contained herein, together with any quotation, order, invoice or other document or amendments expressed to be supplemental to this Contract.	
1.2 "HMA" means Hard Metals Australia Pty Limited, its successors and assigns or any person acting on behalf of and with the authority of Hard Metals Australia Pty Limited.	
1.3 "Client" means any person or entity acting on behalf of and with the authority of the Client requesting HMA to provide the Services as specified in any proposal, quotation, order, invoice or other documentation, and:	9.1
(a) if there is more than one Client, it is a reference to each Client jointly and severally, and	9.2
(b) if the Client is a partnership, it shall refer to each partner jointly and severally, and	
(c) if the Client is a part of a trust, it shall refer to each trustee, and	
(d) includes the Client's executors, administrators, successors and permitted assigns.	
1.4 "Goods" means all Goods or Services supplied by HMA to the Client at the Client's request from time to time (where the context so permits the terms "Goods" or "Services" shall be interchangeable for the other).	9.3
1.5 "Confidential Information" means information of a confidential nature whether oral, written or in electronic form including, but not limited to, this Contract, either party's intellectual property, operational information, know-how, trade secrets, financial and commercial affairs, contracts, client information (including but not limited to, "Personal Information" such as name, address, D.O.B, occupation, driver's license details, electronic contact (email, Facebook or Twitter details), medical insurance details or next of kin and other contact information (where applicable), previous credit applications, credit history and pricing details.	9.4
1.6 "Cookies" means small files which are stored on the Client's computer or mobile device to hold a modest amount of data (including Personal Information) specific to a particular client and website, and can be accessed either by the web server or the client's computer. If the Client does not wish to allow Cookies to operate in the background when ordering from the website, the Client shall have the right to enable/disable the Cookies first by selecting the option to enable/disable provided on the website, prior to ordering Goods via the website.	9.5
1.7 "Price" means the Price payable (plus any GST where applicable) for the Goods as agreed between HMA and the Client in accordance with clause 5 below.	9.6
1.8 "GST" means Goods and Services Tax (GST) as defined within the 'A New Tax System (Goods and Services Tax Act 1999)' (Cth).	9.7
2. ACCEPTANCE	9.8
2.1 The Client is taken to have exclusively accepted and is immediately bound, jointly and severally, by these terms and conditions if the Client places an order or accepts delivery of 9.7 the Goods.	9.9
2.2 In the event of any inconsistency between the terms and conditions of this Contract and any other prior document or schedule that the parties have entered into, the terms of this Contract 9.9 shall prevail.	9.10
2.3 Any amendment to the terms and conditions contained in this Contract may only be amended in writing by the consent of both parties.	9.11
2.4 Electronic signature or e-mail shall be deemed to be accepted by either party providing that the parties have complied with Section 9 of the Electronic Transactions Act 2000 or any other 10 applicable provisions of that Act or any Regulations referred to in that Act.	9.12
3. ERRORS AND OMISSIONS	10.1
3.1 The Client acknowledges and accepts that HMA shall, without prejudice, accept no liability in respect of any alleged or actual error(s) and/or omission(s):	10.2
(a) resulting from an inadvertent mistake made by HMA in the formation and/or administration of this Contract, and/or	10.3
(b) contained in either any literature (hard copy and/or electronic) supplied by HMA in 10.3 respect of the Services.	10.4
3.2 In the event such an error and/or omission occurs in accordance with clause 3.1, and is not attributable to the negligence and/or willful misconduct of HMA, the Client shall not be entitled to treat this Contract as repudiated nor render it invalid.	10.5
4. CHANGE IN CONTROL	11.1
4.1 The Client shall give HMA not less than fourteen (14) days prior written notice of any proposed change of ownership of the Client and/or any change in the Client's details (including but not limited to, changes in the Client's name, address, contact phone or fax number, change of trustees or business practice). The Client shall be liable for any loss 11.2 incurred by HMA as a result of the Client's failure to comply with this clause.	11.3
5. PRICE AND PAYMENT	11.4
5.1 At HMA's sole discretion, the Price shall be either:	11.5
(a) as indicated on any invoice provided by HMA to the Client; or	11.6
(b) the Price as at the date of delivery of the Goods according to HMA's current price list; or	11.7
(c) HMA's quoted (subject to clause 5.2) which will be valid for the period stated in the quotation or otherwise for a period of thirty (30) days.	11.8
5.2 HMA reserves the right to change the Price if a variation to HMA's quotation is requested. Any variation as a result of increases to HMA in the cost of materials and labour, or fluctuations in current market conditions, will be charged on the basis of HMA's quotation 11.5 and will be shown as variations on the invoice. The Client shall be required to respond to any variation submitted by HMA within ten (10) working days. Failure to do so will entitle HMA to 11.6 add the cost of the variation to the Price. Payment for all variations must be made in full at the time of their completion.	11.9
5.3 Time for payment for the Goods being of the essence, the Price will be payable by the Client on the date/s determined by HMA, which may be:	11.10
(a) payment shall be due on the Client's order for the Goods; or	11.11
(b) for approved Client (with a 30 day credit limit) on the date of invoice; or	11.12
(c) the date specified on any invoice or other form as being the date for payment; or	11.13
5.4 Payment may be made by cash, cheque, bank cheque, electronic/in-line banking, credit card (a surcharge may apply per transaction), or by any other method as agreed to between the Client and HMA.	11.14
5.5 The Client shall not be entitled to set off against, or deduct from the Price, any sums owed or claimed to be owed to the Client by HMA nor to withhold payment of any invoice because part of that invoice is in dispute.	11.15
5.6 Unless otherwise stated the Price does not include GST. In addition to the Price the Client must pay to HMA an amount equal to any GST HMA must pay for any supply by HMA under 11.9 this or any other contract for the sale of the Goods. The Client must pay GST, without deduction or set off of any other amounts, at the same time and on the same basis as the Client pays the Price. In addition, the Client must pay any other taxes and duties that may be applicable in addition to the Price except where they are expressly included in the Price.	11.16
6. DELIVERY OF GOODS	11.17
6.1 Delivery ("Delivery") of the Goods is taken that the Goods are delivered ex-warehouse and, unless otherwise stated, dispatched by HMA's nominated carrier (and in accordance with that carrier's current rates).	11.18
6.2 Delivery of the Goods to the Client's agent, carrier or representative shall constitute delivery 11.11 of the Goods by HMA to the Client for the purposes of this Contract.	11.19
6.3 The costs of delivery and the responsibility of the Client are in addition to the Price (and where applicable charges to the Client's account).	11.20
6.4 The Client shall make all arrangements necessary to take delivery of the Goods whether they are tendered for delivery. In the event that the Client is unable to take delivery of the Goods as arranged then HMA shall be entitled to charge a reasonable fee for redelivery.	11.21
6.5 Where it is arranged that the Client, or the Client's nominated carrier, is to collect the Goods; notification that the Goods are available for collection shall be deemed as delivery of the Goods. Failure to collect the Goods will not be accepted as mitigating the Client's obligation to make payment within the specified terms.	11.22
6.6 At HMA's sole discretion, storage fees may be charged for any Goods that have not been collected by the Client after twenty-one (21) days after HMA has notified the Client that the Goods are available for collection.	11.23
6.7 The Client acknowledges that the delivery date specified on the order confirmation is an estimate only, based on the information available at the time. HMA reserves the right to cancel 12.3 the supply of the Goods (as per clause 14.2) where it is deemed (at HMA's sole discretion) that the supply of the Goods will not meet the Client's specified terms and requirements, and/or it will expose HMA to unnecessary risk.	11.24
6.8 HMA may deliver the Goods by separate instalments. Each separate instalment shall be 13.1 invoiced and paid in accordance to the provisions in these terms and conditions.	11.25
6.9 The Client shall take delivery of the Goods tendered notwithstanding that the quantity so delivered shall be either greater or lesser than the quantity purchased provided that:	11.26
(a) such discrepancy in quantity shall not exceed five percent (5%); and	11.27
(b) the Price shall be adjusted pro rata to the discrepancy.	11.28
6.10 HMA shall not be responsible for the non-delivery of the Goods other than by its nominated carrier.	11.29
6.11 The failure of HMA to deliver shall not entitle either party to treat this Contract as repudiated.	11.30
6.12 HMA shall not be liable for any loss or damage whatsoever due to failure by HMA to deliver 13.3 the Goods (or any of them) promptly or at all, where due to circumstances beyond the control of HMA.	11.31
7. RISK	11.32
7.1 Risk of damage to or loss of the Goods passes to the Client on Delivery and the Client must 13.4 insure the Goods on or before Delivery.	11.33
7.2 If any of the Goods are damaged or destroyed following delivery but prior to ownership passing to the Client, HMA is entitled to receive all insurance proceeds payable for the Goods. The production of the terms and conditions by HMA is sufficient evidence of HMA's rights to receive the insurance proceeds without the need for any person dealing with HMA to make further enquiries.	11.34
7.3 If the Client requests HMA to leave Goods outside HMA's premises for collection or to deliver the Goods to an unattended location, then such Goods shall be left at the Client's sole risk.	11.35
8. TITLE	11.36
8.1 HMA and the Client agree that ownership of the Goods shall not pass until:	11.37
(a) the Client has paid HMA in full all amounts owing to HMA; and	11.38
(b) the Client has met all of its other obligations to HMA.	11.39
8.2 Receipt by HMA of any form of payment other than cash shall not be deemed to be payment until that form of payment has been honoured, cleared or recognised.	11.40
8.3 It is further agreed that, until ownership of the Goods passes to the Client in accordance with clause 8.1:	11.41
(a) the Client is only a bailee of the Goods and must return the Goods to HMA on request.	11.42
(b) the Client holds the benefit of the Client's insurance of the Goods on trust for HMA and must pay to HMA the proceeds of any insurance in the event of the Goods being lost, damaged or destroyed.	11.43
(c) the Client must not sell, dispose, or otherwise part with possession of the Goods other than in the ordinary course of business and for market value. If the Client sells, disposes or parts with possession of the Goods then the Client must hold the proceeds of any such act on trust for HMA and must pay to HMA the proceeds of any insurance on demand.	11.44
(d) the Client should not convert or process the Goods or mix them with other goods but if the Client does so then the Client holds the resulting product on trust for the benefit of HMA and must sell, dispose of or return the resulting product to HMA as its sole direct.	11.45
(e) the Client irrevocably authorises HMA to deliver the Goods to any premises where HMA believes the Goods are kept and recover possession of the Goods.	11.46
(f) HMA may recover possession of any Goods in transit whether or not delivery has occurred.	11.47
(g) the Client shall not charge or grant an encumbrance over the Goods nor grant nor otherwise give away any interest in the Goods while they remain the property of HMA.	15.1
(h) the Client may commence proceedings to recover the Price of the Goods sold 15.1 notwithstanding that ownership of the Goods has not passed to the Client.	15.2
PERSONAL PROPERTY SECURITIES ACT 2009 ("PPSA")	15.3
The Client agrees to complete a financing change statement, security agreement, and any security interest has the meaning given to it by the PPSA.	15.4
Upon assenting to these terms and conditions in writing the Client acknowledges and agrees that these terms and conditions constitute a security agreement for the purposes of the PPSA and creates a security interest in the Goods and/or collateral (account) being a monetary obligation of the Client to HMA for Services that have previously been supplied and that will be supplied in the future by HMA to the Client.	15.5
The Client undertakes to:	15.6
(a) promptly sign any further documents and/or provide any further information (such information to be complete, accurate and up-to-date in all respects) which HMA may 15.2 reasonably require to:	15.7
(i) register a financing statement or financing change statement in relation to a security interest on the Personal Property Securities Register;	15.8
(ii) register any other document required to be registered by the PPSA; or	15.9
(iii) correct a defect in a statement referred to in clauses 9.3(a)(i) or 9.3(a)(ii);	15.10
(iv) indemnify, and upon demand reimburse, HMA for all expenses incurred in registering a financing statement or financing change statement on the Personal Property Securities Register or in establishing the PPSA; or	15.11
(v) not register a financing change statement in respect of a security interest without the prior written consent of HMA;	15.12
(vi) not register, or permit to be registered, a financing statement or a financing change statement in relation to the Goods and/or collateral (account) in favour of a third party without the prior written consent of HMA;	15.13
(vii) immediately advise HMA of any material change in its business practices of selling the Goods which would result in a change in the nature of the proceeds derived from such sales. HMA and the Client agree that sections 96, 115 and 125 of the PPSA do not apply to the Client's agreement created by these terms and conditions.	15.14
(viii) The Client waives their rights to receive notices under sections 95, 118, 121(4), 130, 132(3), 15.4 (d) and 132(4) of the PPSA.	15.15
(ix) The Client waives their rights as a creditor and/or a debtor under sections 142 and 143 of the PPSA.	15.16
Unless otherwise agreed to in writing by HMA, the Client waives their right to receive a verification statement in accordance with section 157 of the PPSA.	15.17
The Client must unconditionally ratify any actions taken by HMA under clauses 9.3 to 9.5. Subject to the provisions of the PPSA or to the contrary (including those contained in clause 9) nothing in these terms and conditions is intended to have the effect of contracting out of any 15.5 of the provisions of the PPSA.	15.18
SECURITY AND CHARGE	15.19
In consideration of HMA agreeing to supply the Goods, the Client charges all of its rights, title and interest (whether joint or several) in any land, realty or other assets capable of being charged, owned by the Client either now or in the future, to secure the performance by the Client of its obligations under these terms and conditions (including, but not limited to, the repayment of any money).	15.20
The Client irrevocably appoints HMA and each director of HMA as the Client's true and lawful attorney/s to perform all necessary acts to give effect to the provisions of this clause 10 15.7 including, but not limited to, signing any document on the Client's behalf.	15.21
DEFECTS, WARRANTIES AND RETURNS, COMPETITION AND CONSUMER ACT 2010 (CCA)	15.22
The Client must inspect the Goods on delivery and must within fourteen (14) days of delivery notify HMA in writing of any evident defect/damage, shortage in quantity, or failure to comply with the description or quote. The Client must notify any other alleged defect in the Goods as soon as reasonably possible after any such defect becomes evident. Upon such notification the Client must allow HMA to inspect the Goods.	15.23
Under applicable State, Territory and Commonwealth Law (including, without limitation the CCA), certain statutory implied guarantees and warranties (including, without limitation the statutory guarantees under the CCA) may be implied into these terms and conditions (Non-Excluded Guarantees).	15.24
HMA acknowledges that nothing in these terms and conditions purports to modify or exclude the Non-Excluded Guarantees.	15.25
Except where expressly set out in these terms and conditions or in respect of the Non-Excluded Guarantees, HMA makes no warranties or other representations under these terms and conditions including but not limited to the quality or suitability of the Goods. HMA's liability in 15.9 respect of these warranties is limited to the fullest extent permitted by law.	15.26
If HMA is required to replace the Goods under this clause or the CCA, but is unable to do so, HMA may return any money the Client has paid for the Goods.	15.27
The Client irrevocably authorises HMA and each director of HMA as the Client's true and lawful attorney/s to perform all necessary acts to give effect to the provisions of this clause 10 15.7 including, but not limited to, signing any document on the Client's behalf.	15.28
DEFECTS, WARRANTIES AND RETURNS, COMPETITION AND CONSUMER ACT 2010 (CCA)	15.29
The Client must inspect the Goods on delivery and must within fourteen (14) days of delivery notify HMA in writing of any evident defect/damage, shortage in quantity, or failure to comply with the description or quote. The Client must notify any other alleged defect in the Goods as soon as reasonably possible after any such defect becomes evident. Upon such notification the Client must allow HMA to inspect the Goods.	15.30
Under applicable State, Territory and Commonwealth Law (including, without limitation the CCA), certain statutory implied guarantees and warranties (including, without limitation the statutory guarantees under the CCA) may be implied into these terms and conditions (Non-Excluded Guarantees).	15.31
HMA acknowledges that nothing in these terms and conditions purports to modify or exclude the Non-Excluded Guarantees.	15.32
Except where expressly set out in these terms and conditions or in respect of the Non-Excluded Guarantees, HMA makes no warranties or other representations under these terms and conditions including but not limited to the quality or suitability of the Goods. HMA's liability in 15.9 respect of these warranties is limited to the fullest extent permitted by law.	15.33
If HMA is required to replace the Goods under this clause or the CCA, but is unable to do so, HMA may return any money the Client has paid for the Goods.	15.34
The Client irrevocably authorises HMA and each director of HMA as the Client's true and lawful attorney/s to perform all necessary acts to give effect to the provisions of this clause 10 15.7 including, but not limited to, signing any document on the Client's behalf.	15.35
DEFECTS, WARRANTIES AND RETURNS, COMPETITION AND CONSUMER ACT 2010 (CCA)	15.36
The Client must inspect the Goods on delivery and must within fourteen (14) days of delivery notify HMA in writing of any evident defect/damage, shortage in quantity, or failure to comply with the description or quote. The Client must notify any other alleged defect in the Goods as soon as reasonably possible after any such defect becomes evident. Upon such notification the Client must allow HMA to inspect the Goods.	15.37
Under applicable State, Territory and Commonwealth Law (including, without limitation the CCA), certain statutory implied guarantees and warranties (including, without limitation the statutory guarantees under the CCA) may be implied into these terms and conditions (Non-Excluded Guarantees).	15.38
HMA acknowledges that nothing in these terms and conditions purports to modify or exclude the Non-Excluded Guarantees.	15.39
Except where expressly set out in these terms and conditions or in respect of the Non-Excluded Guarantees, HMA makes no warranties or other representations under these terms and conditions including but not limited to the quality or suitability of the Goods. HMA's liability in 15.9 respect of these warranties is limited to the fullest extent permitted by law.	15.40
If HMA is required to replace the Goods under this clause or the CCA, but is unable to do so, HMA may return any money the Client has paid for the Goods.	15.41
The Client irrevocably authorises HMA and each director of HMA as the Client's true and lawful attorney/s to perform all necessary acts to give effect to the provisions of this clause 10 15.7 including, but not limited to, signing any document on the Client's behalf.	15.42
DEFECTS, WARRANTIES AND RETURNS, COMPETITION AND CONSUMER ACT 2010 (CCA)	15.43
The Client must inspect the Goods on delivery and must within fourteen (14) days of delivery notify HMA in writing of any evident defect/damage, shortage in quantity, or failure to comply with the description or quote. The Client must notify any other alleged defect in the Goods as soon as reasonably possible after any such defect becomes evident. Upon such notification the Client must allow HMA to inspect the Goods.	15.44
Under applicable State, Territory and Commonwealth Law (including, without limitation the CCA), certain statutory implied guarantees and warranties (including, without limitation the statutory guarantees under the CCA) may be implied into these terms and conditions (Non-Excluded Guarantees).	15.45
HMA acknowledges that nothing in these terms and conditions purports to modify or exclude the Non-Excluded Guarantees.	15.46
Except where expressly set out in these terms and conditions or in respect of the Non-Excluded Guarantees, HMA makes no warranties or other representations under these terms and conditions including but not limited to the quality or suitability of the Goods. HMA's liability in 15.9 respect of these warranties is limited to the fullest extent permitted by law.	15.47
If HMA is required to replace the Goods under this clause or the CCA, but is unable to do so, HMA may return any money the Client has paid for the Goods.	15.48
The Client irrevocably authorises HMA and each director of HMA as the Client's true and lawful attorney/s to perform all necessary acts to give effect to the provisions of this clause 10 15.7 including, but not limited to, signing any document on the Client's behalf.	15.49
DEFECTS, WARRANTIES AND RETURNS, COMPETITION AND CONSUMER ACT 2010 (CCA)	15.50
The Client must inspect the Goods on delivery and must within fourteen (14) days of delivery notify HMA in writing of any evident defect/damage, shortage in quantity, or failure to comply with the description or quote. The Client must notify any other alleged defect in the Goods as soon as reasonably possible after any such defect becomes evident. Upon such notification the Client must allow HMA to inspect the Goods.	15.51
Under applicable State, Territory and Commonwealth Law (including, without limitation the CCA), certain statutory implied guarantees and warranties (including, without limitation the statutory guarantees under the CCA) may be implied into these terms and conditions (Non-Excluded Guarantees).	15.52
HMA acknowledges that nothing in these terms and conditions purports to modify or exclude the Non-Excluded Guarantees.	15.53
Except where expressly set out in these terms and conditions or in respect of the Non-Excluded Guarantees, HMA makes no warranties or other representations under these terms and conditions including but not limited to the quality or suitability of the Goods. HMA's liability in 15.9 respect of these warranties is limited to the fullest extent permitted by law.	15.54
If HMA is required to replace the Goods under this clause or the CCA, but is unable to do so, HMA may return any money the Client has paid for the Goods.	15.55
The Client irrevocably authorises HMA and each director of HMA as the Client's true and lawful attorney/s to perform all necessary acts to give effect to the provisions of this clause 10 15.7 including, but not limited to, signing any document on the Client's behalf.	15.56
DEFECTS, WARRANTIES AND RETURNS, COMPETITION AND CONSUMER ACT 2010 (CCA)	15.57
The Client must inspect the Goods on delivery and must within fourteen (14) days of delivery notify HMA in writing of any evident defect/damage, shortage in quantity, or failure to comply with the description or quote. The Client must notify any other alleged defect in the Goods as soon as reasonably possible after any such defect becomes evident. Upon such notification the Client must allow HMA to inspect the Goods.	15.58
Under applicable State, Territory and Commonwealth Law (including, without limitation the CCA), certain statutory implied guarantees and warranties (including, without limitation the statutory guarantees under the CCA) may be implied into these terms and conditions (Non-Excluded Guarantees).	15.59
HMA acknowledges that nothing in these terms and conditions purports to modify or exclude the Non-Excluded Guarantees.	15.60
Except where expressly set out in these terms and conditions or in respect of the Non-Excluded Guarantees, HMA makes no warranties or other representations under these terms and conditions including but not limited to the quality or suitability of the Goods. HMA's liability in 15.9 respect of these warranties is limited to the fullest extent permitted by law.	15.61
If HMA is required to replace the Goods under this clause or the CCA, but is unable to do so, HMA may return any money the Client has paid for the Goods.	15.62
The Client irrevocably authorises HMA and each director of HMA as the Client's true and lawful attorney/s to perform all necessary acts to give effect to the provisions of this clause 10 15.7 including, but not limited to, signing any document on the Client's behalf.	15.63
DEFECTS, WARRANTIES AND RETURNS, COMPETITION AND CONSUMER ACT 2010 (CCA)	15.64
The Client must inspect the Goods on delivery and must within fourteen (14) days of delivery notify HMA in writing of any evident defect/damage, shortage in quantity, or failure to comply with the description or quote. The Client must notify any other alleged defect in the Goods as soon as reasonably possible after any such defect becomes evident. Upon such notification the Client must allow HMA to inspect the Goods.	15.65
Under applicable State, Territory and Commonwealth Law (including, without limitation the CCA), certain statutory implied guarantees and warranties (including, without limitation the statutory guarantees under the CCA) may be implied into these terms and conditions (Non-Excluded Guarantees).	15.66
HMA acknowledges that nothing in these terms and conditions purports to modify or exclude the Non-Excluded Guarantees.	15.67
Except where expressly set out in these terms and conditions or in respect of the Non-Excluded Guarantees, HMA makes no warranties or other representations under these terms and conditions including but not limited to the quality or suitability of the Goods. HMA's liability in 15.9 respect of these warranties is limited to the fullest extent permitted by law.	15.68
If HMA is required to replace the Goods under this clause or the CCA, but is unable to do so, HMA may return any money the Client has paid for the Goods.	15.69
The Client irrevocably authorises HMA and each director of HMA as the Client's true and lawful attorney/s to perform all necessary acts to give effect to the provisions of this clause 10 15.7 including, but not limited to, signing any document on the Client's behalf.	15.70
DEFECTS, WARRANTIES AND RETURNS, COMPETITION AND CONSUMER ACT 2010 (CCA)	15.71
The Client must inspect the Goods on delivery and must within fourteen (14) days of delivery notify HMA in writing of any evident defect/damage, shortage in quantity, or failure to comply with the description or quote. The Client must notify any other alleged defect in the Goods as soon as reasonably possible after any such defect becomes evident. Upon such notification the Client must allow HMA to inspect the Goods.	15.72
Under applicable State, Territory and Commonwealth Law (including, without limitation the CCA), certain statutory implied guarantees and warranties (including, without limitation the statutory guarantees under the CCA) may be implied into these terms and conditions (Non-Excluded Guarantees).	15.73
HMA acknowledges that nothing in these terms and conditions purports to modify or exclude the Non-Excluded Guarantees.	15.74
Except where expressly set out in these terms and conditions or in respect of the Non-Excluded Guarantees, HMA makes no warranties or other representations under these terms and conditions including but not limited to the quality or suitability of the Goods. HMA's liability in 15.9 respect of these warranties is limited to the fullest extent permitted by law.	15.75
If HMA is required to replace the Goods under this clause or the CCA, but is unable to do so, HMA may return any money the Client has paid for the Goods.	15.76
The Client irrevocably authorises HMA and each director of HMA as the Client's true and lawful attorney/s to perform all necessary acts to give effect to the provisions of this clause 10 15.7 including, but not limited to, signing any document on the Client's behalf.	15.77
DEFECTS, WARRANTIES AND RETURNS, COMPETITION AND CONSUMER ACT 2010 (CCA)	15.78
The Client must inspect the Goods on delivery and must within fourteen (14) days of delivery notify HMA in writing of any evident defect/damage, shortage in quantity, or failure to comply with the description or quote. The Client must notify any other alleged defect in the Goods as soon as reasonably possible after any such defect becomes evident. Upon such notification the Client must allow HMA to inspect the Goods.	15.79
Under applicable State, Territory and Commonwealth Law (including, without limitation the CCA), certain statutory implied guarantees and warranties (including, without limitation the statutory guarantees under the CCA) may be implied into these terms and conditions (Non-Excluded Guarantees).	15.80
HMA acknowledges that nothing in these terms and conditions purports to modify or exclude the Non-Excluded Guarantees.	15.81
Except where expressly set out in these terms and conditions or in respect of the Non-Excluded Guarantees, HMA makes no warranties or other representations under these terms and conditions including but not limited to the quality or suitability of the Goods. HMA's liability in 15.9 respect of these warranties is limited to the fullest extent permitted by law.	15.82
If HMA is required to replace the Goods under this clause or the CCA, but is unable to do so, HMA may return any money the Client has paid for the Goods.	15.83
The Client irrevocably authorises HMA and each director of HMA as the Client's true and lawful attorney/s to perform all necessary acts to give effect to the provisions of this clause 10 15.7 including, but not limited to, signing any document on the Client's behalf.	15.84
DEFECTS, WARRANTIES AND RETURNS, COMPETITION AND CONSUMER ACT 2010 (CCA)	15.85
The Client must inspect the Goods on delivery and must within fourteen (14) days of delivery notify HMA in writing of any evident defect/damage, shortage in quantity, or failure to comply with the description or quote. The Client must notify any other alleged defect in the Goods as soon as reasonably possible after any such defect becomes evident. Upon such notification the Client must allow HMA to inspect the Goods.	15.86
Under applicable State, Territory and Commonwealth Law (including, without limitation the CCA), certain statutory implied guarantees and warranties (including, without limitation the statutory guarantees under the CCA) may be implied into these terms and conditions (Non-Excluded Guarantees).	15.87
HMA acknowledges that nothing in these terms and conditions purports to modify or exclude the Non-Excluded Guarantees.	15.88
Except where expressly set out in these terms and conditions or in respect of the Non-Excluded Guarantees, HMA makes no warranties or other representations under these terms and conditions including but not limited to the quality or suitability of the Goods. HMA's liability in 15.9 respect of these warranties is limited to the fullest extent permitted by law.	15.89
If HMA is required to replace the Goods under this clause or the CCA, but is unable to do so, HMA may return any money the Client has paid for the Goods.	15.90
The Client irrevocably authorises HMA and each director of HMA as the Client's true and lawful attorney/s to perform all necessary acts to give effect to the provisions of this clause 10 15.7 including, but not limited to, signing any document on the Client's behalf.	15.91
DEFECTS, WARRANTIES AND RETURNS, COMPETITION AND CONSUMER ACT 2010 (CCA)	15.92
The Client must inspect the Goods on delivery and must within fourteen (14) days of delivery notify HMA in writing of any evident defect/damage, shortage in quantity, or failure to comply with the description or quote. The Client must notify any other alleged defect in the Goods as soon as reasonably possible after any such defect becomes evident. Upon such notification the Client must allow HMA to inspect the Goods.	15.93
Under applicable State, Territory and Commonwealth Law (including, without limitation the CCA), certain statutory implied guarantees and warranties (including, without limitation the statutory guarantees under the CCA) may be implied into these terms and conditions (Non-Excluded Guarantees).	15.94
HMA acknowledges that nothing in these terms and conditions purports to modify or exclude the Non-Excluded Guarantees.	15.95
Except where expressly set out in these terms and conditions or in respect of the Non-Excluded Guarantees, HMA makes no warranties or other representations under these terms and conditions including but not limited to the quality or suitability of the Goods. HMA's liability in 15.9 respect of these warranties is limited to the fullest extent permitted by law.	15.96
If HMA is required to replace the Goods under this clause or the CCA, but is unable to do so, HMA may return any money the Client has paid for the Goods.	15.97
The Client irrevocably authorises HMA and each director of HMA as the Client's true and lawful attorney/s to perform all necessary acts to give effect to the provisions of this clause 10 15.7 including, but not limited to, signing any document on the Client's behalf.	15.98
DEFECTS, WARRANTIES AND RETURNS, COMPETITION AND CONSUMER ACT 2010 (CCA)	15.99
The Client must inspect the Goods on delivery and must within fourteen (14) days of delivery notify HMA in writing of any evident defect/damage, shortage in quantity, or failure to comply with the description or quote. The Client must notify any other alleged defect in the Goods as soon as reasonably possible after any such defect becomes evident. Upon such notification the Client must allow HMA to inspect the Goods.	15.100
Under applicable State, Territory and Commonwealth Law (including, without limitation the CCA), certain statutory implied guarantees and warranties (including, without limitation the statutory guarantees under the CCA) may be implied into these terms and conditions (Non-Excluded Guarantees).	15.101
HMA acknowledges that nothing in these terms and conditions purports to modify or exclude the Non-Excluded Guarantees.	15.102
Except where expressly set out in these terms and conditions or in respect of the Non-Excluded Guarantees, HMA makes no warranties or other representations under these terms and conditions including but not limited to the quality or suitability of the Goods. HMA's liability in 15.9 respect of these warranties is limited to the fullest extent permitted by law.	15.103
If HMA is required to replace the Goods under this clause or the CCA, but is unable to do so, HMA may return any money the Client has paid for the Goods.	15.104
The Client irrevocably authorises HMA and each director of HMA as the Client's true and lawful attorney/s to perform all necessary acts to give effect to the provisions of this clause 10 15.7 including, but not limited to, signing any document on the Client's behalf.	15.105
DEFECTS, WARRANTIES AND RETURNS, COMPETITION AND CONSUMER ACT 2010 (CCA)	15.106
The Client must inspect the Goods on delivery and must within fourteen (14) days of delivery notify HMA in writing of any evident defect/damage, shortage in quantity, or failure to comply with the description or quote. The Client must notify any other alleged defect in the Goods as soon as reasonably possible after any such defect becomes evident. Upon such notification the Client must allow HMA to inspect the Goods.	15.107
Under applicable State, Territory and Commonwealth Law (including, without limitation the CCA), certain statutory implied guarantees and warranties (including, without limitation the statutory guarantees under the CCA) may be implied into these terms and conditions (Non-Excluded Guarantees).	15.108
HMA acknowledges that nothing in these terms and conditions purports to modify or exclude the Non-Excluded Guarantees.	15.109
Except where expressly set out in these terms and conditions or in respect of the Non-Excluded Guarantees, HMA makes no warranties or other representations under these terms and conditions including but not limited to the quality or suitability of the Goods. HMA's liability in 15.9 respect of these warranties is limited to the fullest extent permitted by law.	15.110
If HMA is required to replace the Goods under this clause or the CCA, but is unable to do so, HMA may return any money the Client has paid for the Goods.	15.111
The Client irrevocably authorises HMA and each director of HMA as the Client's true and lawful attorney/s to perform all necessary acts to give effect to the provisions of this clause 10 15.7 including, but not limited to, signing any document on the Client's behalf.	15.112
DEFECTS, WARRANTIES AND RETURNS, COMPETITION AND CONSUMER ACT 2010 (CCA)	15.113
The Client must inspect the Goods on delivery and must within fourteen (14) days of delivery notify HMA in writing of any evident defect/damage, shortage in quantity, or failure to comply with the description or quote. The Client must notify any other alleged defect in the Goods as soon as reasonably possible after any such defect becomes evident. Upon such notification the Client must allow HMA to inspect the Goods.	15.114
Under applicable State, Territory and Commonwealth Law (including, without limitation the CCA), certain statutory implied guarantees and warranties (including, without limitation the statutory guarantees under the CCA) may be implied into these terms and conditions (Non-Excluded Guarantees).	15.115
HMA acknowledges that nothing in these terms and conditions purports to modify or exclude the Non-Excluded Guarantees.	15.116
Except where expressly set out in these terms and conditions or in respect of the Non-Excluded Guarantees, HMA makes no warranties or other representations under these terms and conditions including but not limited to the quality or suitability of the Goods. HMA's liability in 15.9 respect of these warranties is limited to the fullest extent permitted by law.	15.117
If HMA is required to replace the Goods under this clause or the CCA, but is unable to do so, HMA may return any money the Client has paid for the Goods.	15.118
The Client irrevocably authorises HMA and each director of HMA as the Client's true and lawful attorney/s to perform all necessary acts to give effect to the provisions of this clause 10 15.7 including, but not limited to, signing any document on the Client's behalf.	15.119
DEFECTS, WARRANTIES AND RETURNS, COMPETITION AND CONSUMER ACT 2010 (CCA)	15.120
The Client must inspect the Goods on delivery and must within fourteen (14) days of delivery notify HMA in writing of any evident defect/damage, shortage in quantity, or failure to comply with the description or quote. The Client must notify any other alleged defect in the Goods as soon as reasonably possible after any such defect becomes evident. Upon such notification the Client must allow HMA to inspect the Goods.	15.121
Under applicable State, Territory and Commonwealth Law (including, without limitation the CCA), certain statutory implied guarantees and warranties (including, without limitation the statutory guarantees under the CCA) may be implied into these terms and conditions (Non-Excluded Guarantees).	15.122
HMA acknowledges that nothing in these terms and conditions purports to modify or exclude the Non-Excluded Guarantees.	15.123
Except where expressly set out in these terms and conditions or in respect of the Non-Excluded Guarantees, HMA makes no warranties or other representations under these terms and conditions including but not limited to the quality or suitability of the Goods. HMA's liability in 15.9 respect of these warranties is limited to the fullest extent permitted by law.	15.124



Hard Metals Australia Pty Ltd

40 Peter Brock Drive
Eastern Creek NSW 2766
Australia

Ph: 02 9009 4455
Email: sales@hardmetals.com

Hardmetals Canada Inc

Unit 6, 9550 114 Ave
Calgary Alberta T35-OA5

Ph: +1 403 615 6163
Email: canada@hardmetals.com

